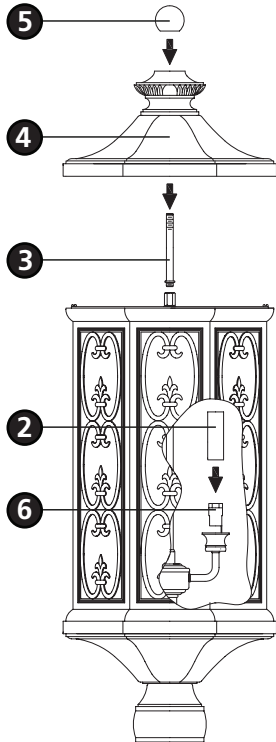
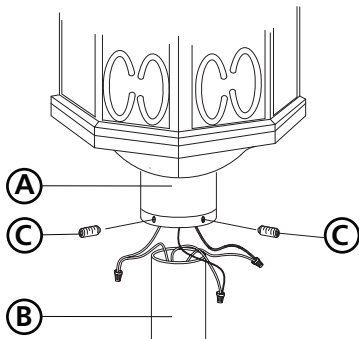




Drawing 1 - Fixture Assembly



Drawing 2 - Fixture Mounting



▼ start here

1

1. Find a clear area in which you can work.
2. Unpack fixture and glass from carton.
3. Carefully review instructions prior to assembly.

***** The construction of this fixture will be accomplished by first assembling the main body of the fixture, making all necessary electrical connections, and then mounting the fixture to pre-installed post.**

2

1. Slip candle sleeve (2) over socket (6) - see **Drawing 1**.
2. Slip roof assembly (4) over center stem (3).
3. Thread finial (5) onto end of center stem (3) and hand tighten only.
Note: Over tightening with a tool could cause damage to roof.

SAFETY WARNING: READ WIRING AND GROUNDING INSTRUCTIONS (I.S. 18) AND ANY ADDITIONAL DIRECTIONS. TURN POWER SUPPLY OFF DURING INSTALLATION. IF NEW WIRING IS REQUIRED, CONSULT A QUALIFIED ELECTRICIAN OR LOCAL AUTHORITIES FOR CODE REQUIREMENTS.

3

Make electrical connections from supply wire to fixture lead wires. Refer to instruction sheet 18 (**I.S. 18**) and follow instructions to make all necessary wiring connections. Then refer back to this sheet to continue installation of this fixture.

4

1. After wiring connections are complete, slip post fitter (A) over top of pre-installed post (B) making sure all wire connections are tucked inside the pole - see **Drawing 2**.
2. When fixture is slipped over pole make sure no wires are being pinched between the top edge of the pole and the inside of the post fitter.
3. Thread the 3 set screws (C) into pre-tapped holes in post fitter.
4. Tighten screws (C) to secure fixture to post.

Note: Maximum wattage for 1231 fixture is 40 watts per bulb.

2.7.08