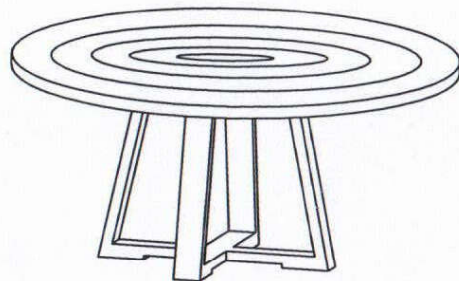
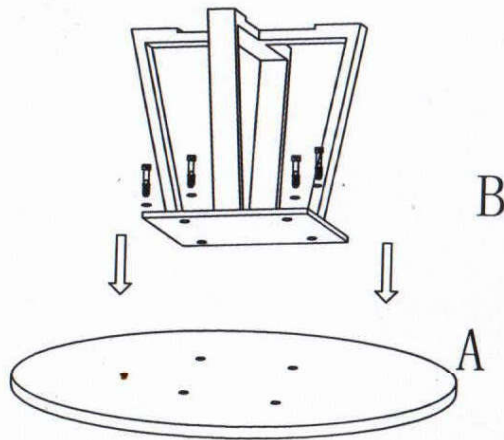




UTTERMOST

## Assembly Instruction

### 24952






1. Take the TOP A carefully out of the carton, and place it upside down on a flat surface, make sure that the TOP A will not be damaged.

2. Take the Base B carefully out of another carton, lock Base B to the TOP A with allen screws.

The product is heavy, multiple people are needed for assembly.

Hardware and tool included: allen screws, allen wrench, washers.

To clean, wipe with soft dry cloth.

		
x1	35mmx4	22mmx4

PO BOX 558/3325 GRASSY HILL RD. ROCKY MOUNT, VIRGINIA 24151

[www.uttermost.com](http://www.uttermost.com)