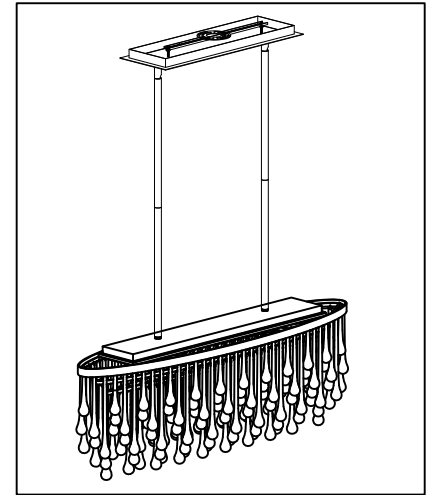
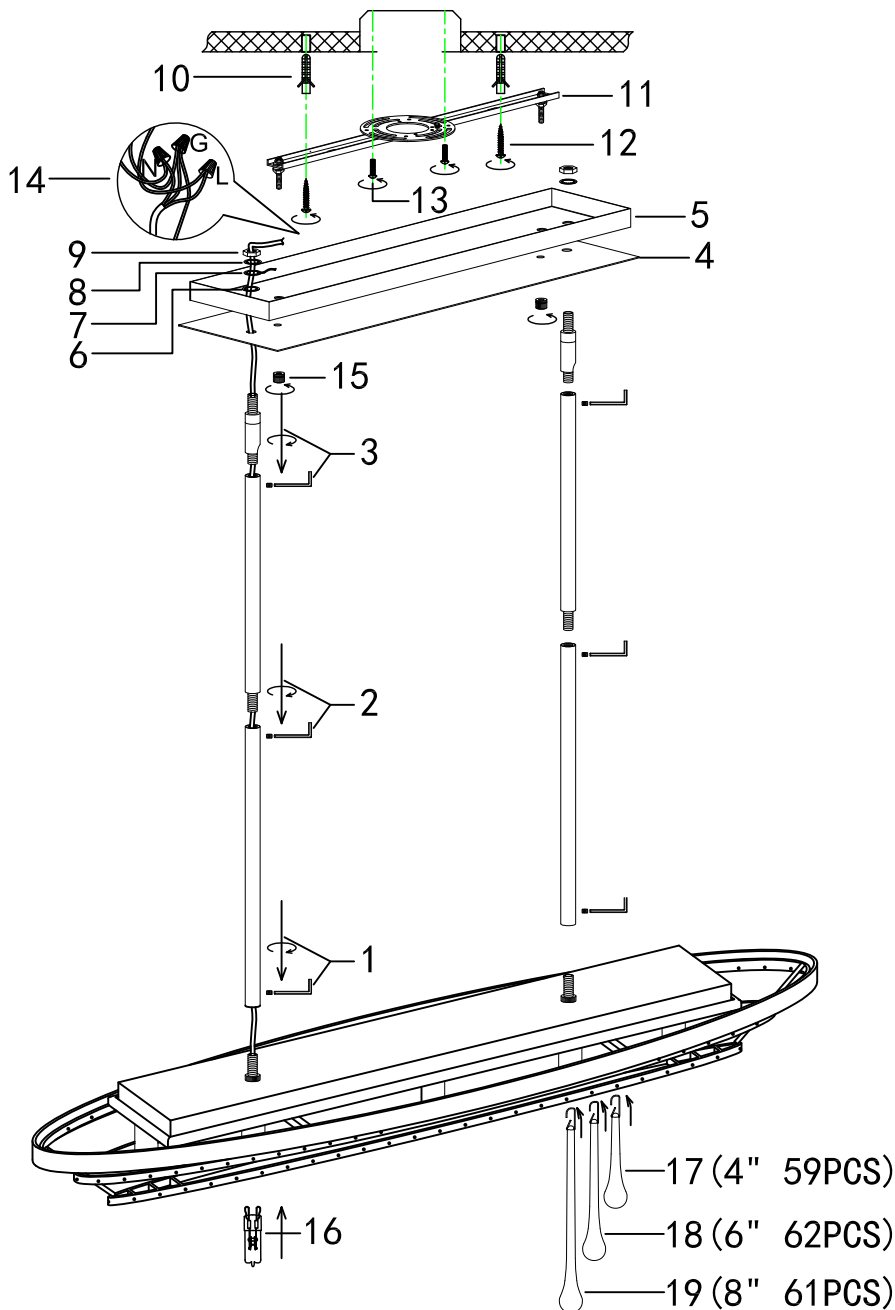




Specification of installation

In order to ensure safety use, please notice the following items:

- Read and understand the whole Specification.
- Suitable for the use of 110~130V and 60Hz.
- Please wear gloves as installment and avoid rot on the surface of plating.
- Must be installed on the fixed places and be checked annually.
- Please turn off the lighting source by soft cloth as cleaning prohibited to use of rotted detergent.
- Please connect with the local sales service center when there are any abnormality.



- 1 Pipe screw
- 2 Pipe screw
- 3 Pipe screw
- 4 Stainless steel sheet
- 5 Canopy
- 6 Lock washer
- 7 Ground wire
- 8 Lock washer
- 9 Lock Nut
- 10 Wall anchor
- 11 Mounting
- 12 Self-tapping screw
- 13 Screw
- 14 Terminal
- 15 Nut
- 16 G9 bulb
- 17 Glasses
- 18 Glasses
- 19 Glasses

Product coding: HF1806-PN

