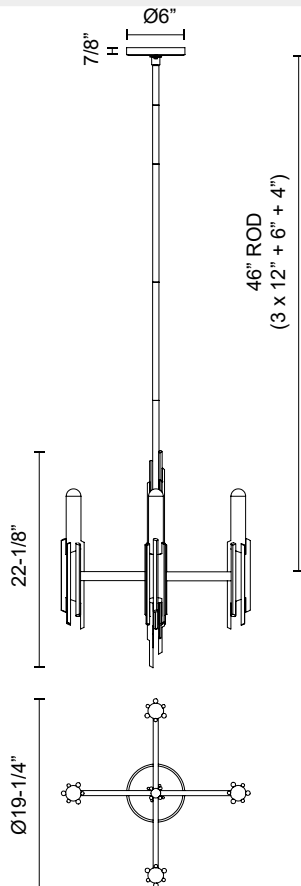


TORRES CH335019

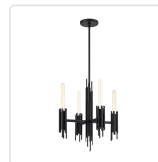


FIXTURE DIMENSIONS	D19-1/4" x H22-1/8"
LAMP TYPE	E26
MAX WATTAGE	60W
BULB QTY	4
BULBS INCLUDED	No
VOLTAGE	120V
MATERIAL	Iron
ROD LENGTH	46" Max (3x12" + 1x6" + 1x4")
WIRE LENGTH	144" Max
MINIMUM HANG HEIGHT	30"
SLOPED CEILING ADAPTABLE	Yes, Up to 18 Degrees
LOCATION	Dry
CANOPY DIMENSIONS	D6" x H7/8"
BRAND	Alora



[D - Diameter, L - Length, W - Width, H - Height, E - Extension]

AVAILABLE FINISHES:



CH335019MB
Matte Black



CH335019PN
Polished Nickel



CH335019VB
Vintage Brass

*For complete warranty terms, please visit: www.aloralighting.com/warranty