

TW40038AB INSTALLATION INSTRUCTIONS

Please read carefully and save these instructions, as you may need them at a later date.

CAUTION

WARNING: Risk of Fire. Consult a qualified electrician to ensure correct branch circuit conductor. Min 90°C supply conductors.

Turn off the main power at the circuit breaker before installing the fixture, in order to prevent possible shock.

GENERAL

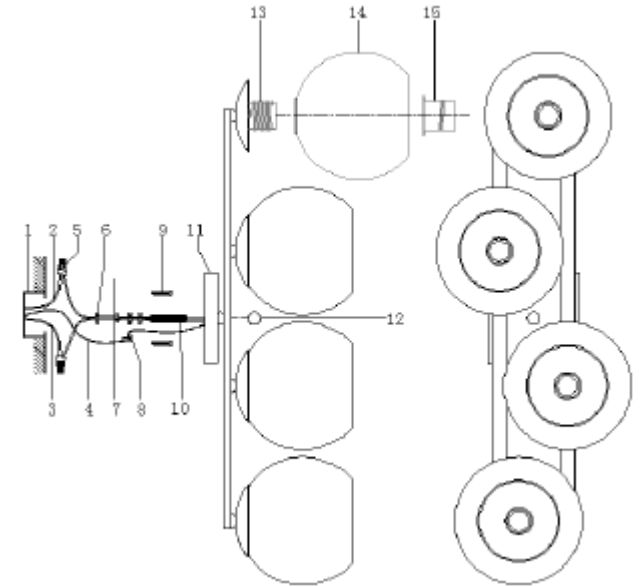
All electrical connections must be in accordance with local and National Electrical Code (N.E.C.) standards. If you are unfamiliar with proper electrical wiring connections obtain the services of a qualified electrician.

Remove the fixture and the mounting package from the box and make sure that no parts are missing by referencing the illustrations on the installation instructions.

ASSEMBLY AND INSTALLATION

1. Attach nipple (10) onto mounting bar (7) and secure with hex nut (6).
2. Attach mounting bar (7) to outlet box (1) with box screws (9).
3. Make wire connection with white Wire (2) and black wire (3). Please use wire nuts (5) to secure the connections. Secure ground wire (4) and ground wire from the fixture to mounting bar (7) with ground screw (8).
4. Align the center hole on back plate (11) to nipple (10) and secure back plate (11) to the wall with ball nuts (12).
5. Put glass shades (14) over sockets (13) and secure with socket rings (15).

INSTALLATION IS NOW COMPLETE



1. OUTLET BOX
2. WHITE WIRE
3. BLACK WIRE
4. GROUND WIRE
5. WIRE NUTS
6. HEX NUT
7. MOUNTING BAR
8. GROUND SCREW
9. BOX SCREW
10. NIPPLE
11. BACK PLATE
12. BALL NUT
13. SOCKET
14. GLASS SHADE
15. SOCKET RING