

## TT80015AB INSTALLATION INSTRUCTIONS

Please read carefully and save these instructions, as you may need them at a later date.

### CAUTION

**WARNING:** Risk of Fire. Consult a qualified electrician to ensure correct branch circuit conductor. Min 90°C supply conductors.

Turn off the main power at the circuit breaker before installing the fixture, in order to prevent possible shock.

### GENERAL

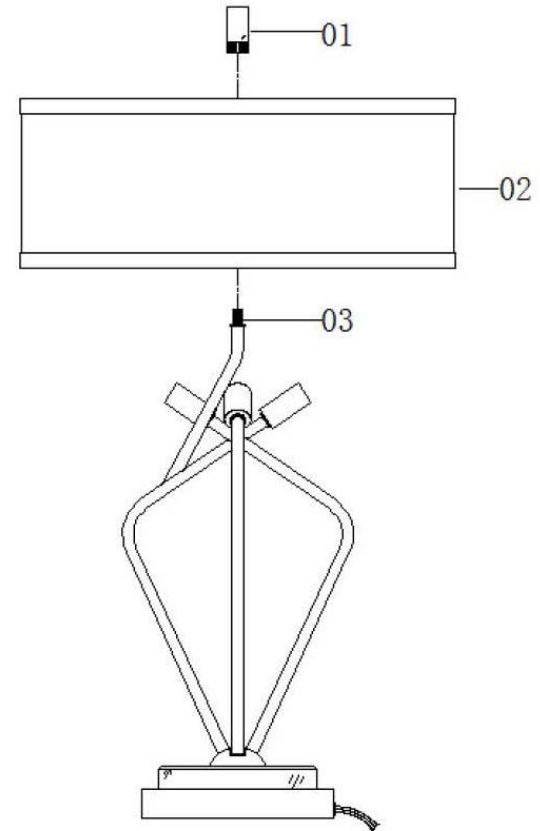
All electrical connections must be in accordance with local and National Electrical Code (N.E.C.) standards. If you are unfamiliar with proper electrical wiring connections obtain the services of a qualified electrician.

Remove the fixture and the mounting package from the box and make sure that no parts are missing by referencing the illustrations on the installation instructions.

### ASSEMBLY AND INSTALLATION

1. Unscrew the finial (01) from threaded top (03) on the lamp body.
2. Place shade (02) over the threaded top (03) making sure the threaded top (03) extends through the top ring of shade (02), and secure shade (02) with finial (01).
3. Insert the specific light bulb into the socket.  
**DO NOT EXCEED THE SPECIFIED WATTAGE.**

INSTALLATION IS NOW COMPLETE



01. FINIAL  
02. SHADE  
03. THREADED TOP