

TP10020

INSTALLATION INSTRUCTIONS

Please read carefully and save these instructions, as you may need them at a later date.

CAUTION

WARNING: Risk of Fire. Consult a qualified electrician to ensure correct branch circuit conductor. Min 90°C supply conductors.

Turn off the main power at the circuit breaker before installing the fixture, in order to prevent possible shock.

GENERAL

All electrical connections must be in accordance with local and National Electrical Code (N.E.C.) standards. If you are unfamiliar with proper electrical wiring connections obtain the services of a qualified electrician.

Remove the fixture and the mounting package from the box and make sure that no parts are missing by referencing the illustrations on the installation instructions.

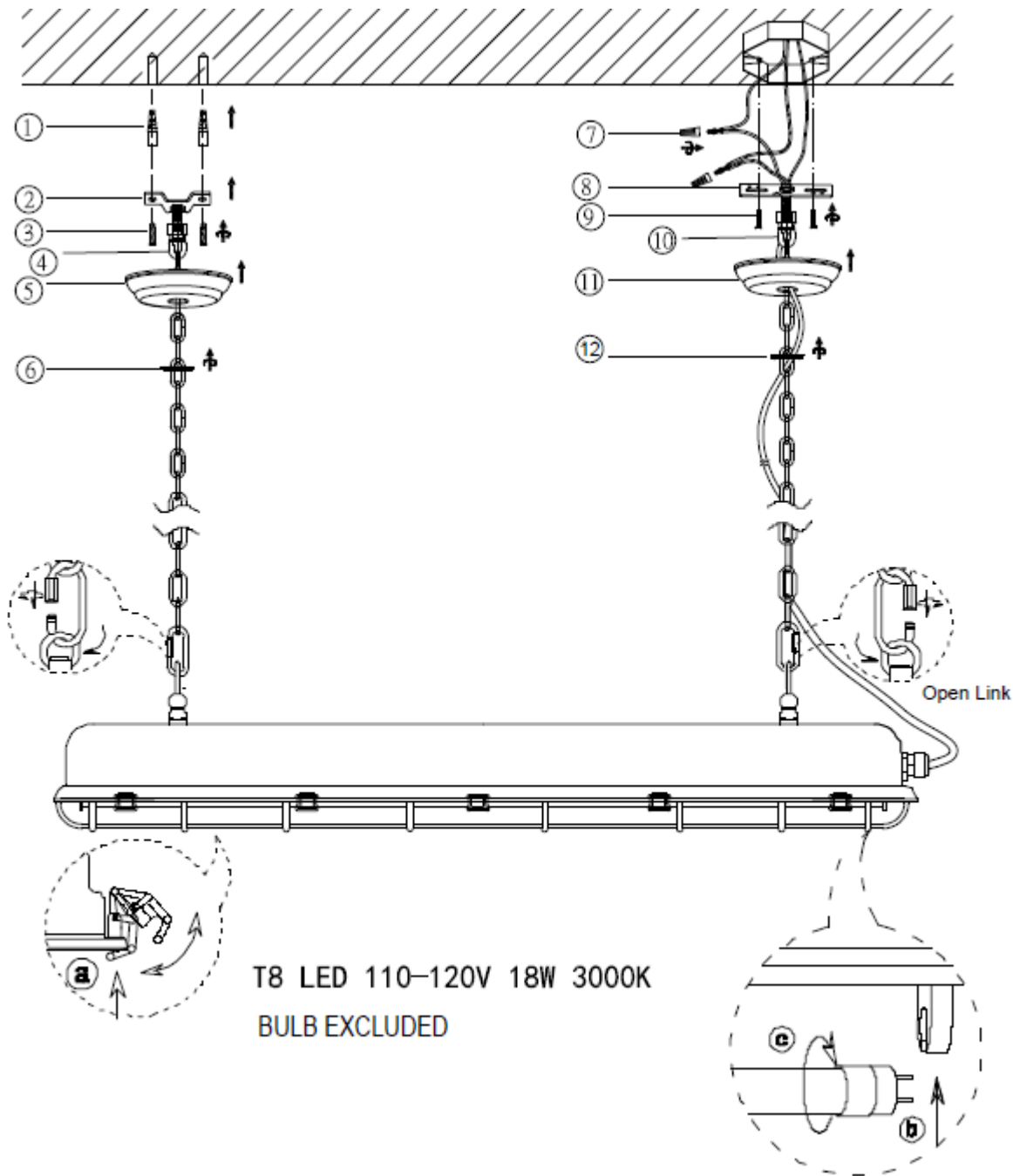
ASSEMBLY AND INSTALLATION

1. Make four ¼" holes in ceiling, insert plastic anchors(1) into the holes.
2. Secure the bracket (2) with self-tapping screws(3) to ceiling.
3. Attached the canopy (5) against ceiling and secure with screw collar loop (4) and ring (6).
4. Secure the single mounting bar (8) over outlet box with box screws (9).
5. Pull out the power supply wire and ground wire from the outlet box. Make wire connections with Wire Connector(7)
 - Black wire from light to Black wire from power source.
 - White wire from light to White wire from power source.
6. Attach the canopy(11) against the outlet box and secure with screw collar loop(10) and ring(12).
7. Hang fixture with chains to the screw collar loop.
8. Insert the bulb (not included) into socket.

Do not exceed recommended wattage - T8 LED 18W 3000K

DO NOT USE BARE HANDS TO TOUCH THE BULB.
INSTALLATION IS NOW COMPLETE

See the details on the back side



1. PLASTIC ANCHOR
2. BRACKET
3. SELF-TAPPING SCREW
4. SCREW COLLAR LOOP
5. CANOPY
6. RING
7. WIRE CONNECTOR
8. MOUNTING BAR
9. BOX SCREW
10. SCREW COLLAR LOOP
11. CANOPY
12. RING

T8 LED 110-120V 18W 3000K
BULB EXCLUDED