

## IN21121ORB INSTALLATION INSTRUCTIONS

Please read carefully and save these instructions, as you may need them at a later date.

### CAUTION

**WARNING:** Risk of Fire. Consult a qualified electrician to ensure correct branch circuit conductor. Min 90°C supply conductors.

Turn off the main power at the circuit breaker before installing the fixture, in order to prevent possible shock.

### GENERAL

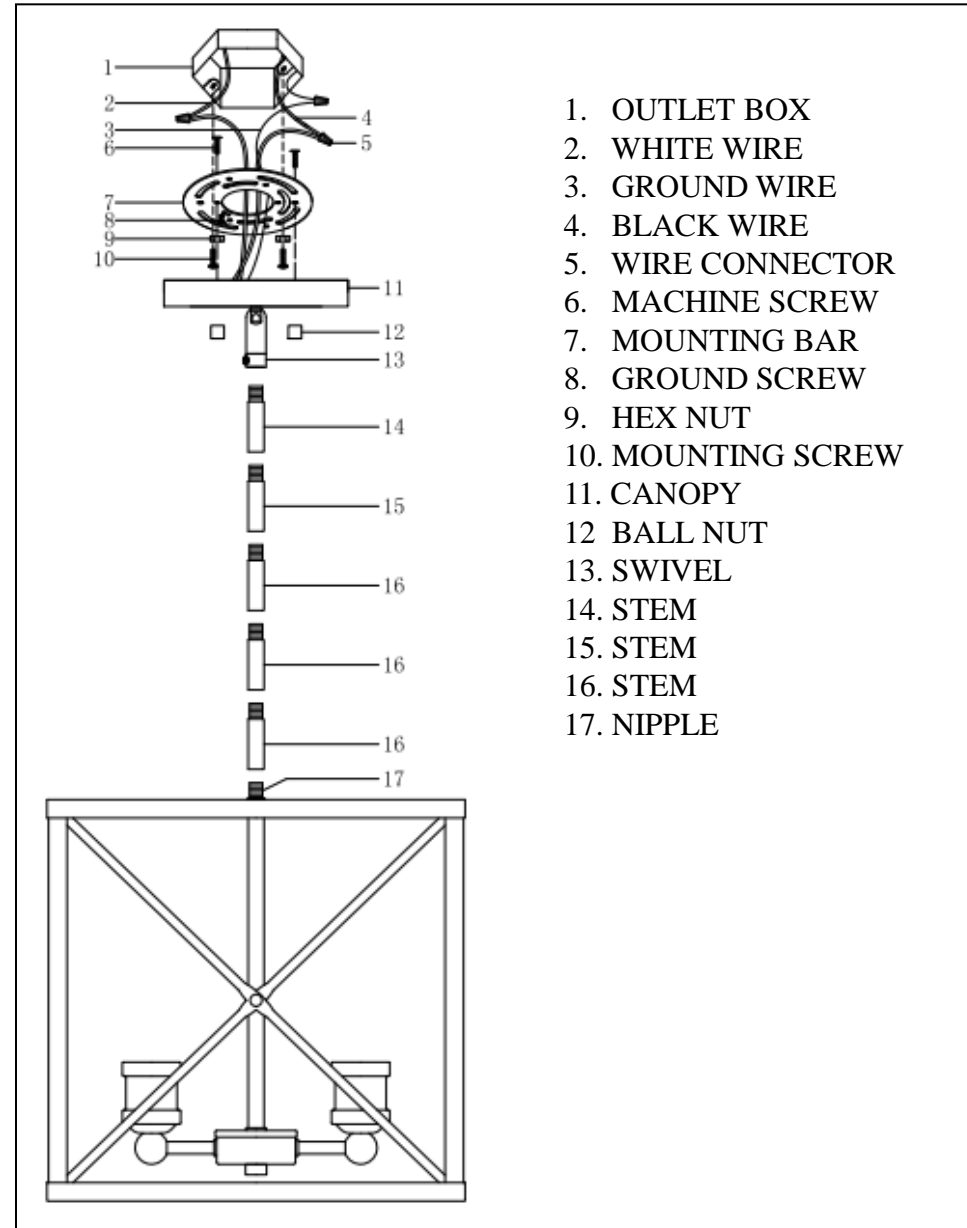
All electrical connections must be in accordance with local and National Electrical Code (N.E.C.) standards. If you are unfamiliar with proper electrical wiring connections obtain the services of a qualified electrician.

Remove the fixture and the mounting package from the box and make sure that no parts are missing by referencing the illustrations on the installation instructions.

### ASSEMBLY AND INSTALLATION

1. Connect the stem (16)(15)(14) one by one, then fix them into the nipple (17) and thread the stem with the swivel (13).
2. Thread two machine screws (6) to the mounting bar (7) and secure with the hex nut (9).
3. Secure the mounting bar (7) with mounting screw (10) to the outlet box (1).
4. Pull out the outlet wire and ground wire from the outlet box (1). Make wire connections.
  - Ribbed wire (w/o marking) from light to White wire (2) from power source.
  - Smooth wire (w/o marking) from light to Black wire (4) from power source.
  - Loop the ground wire (3) to mounting bar (7) with a ground screw (8).
5. Attach the fixture canopy (11) against the outlet box (1), secure with the ball nut (12).
6. Install bulbs: (bulbs not included)
  - (Please don't exceed the maximum capacity that's recommended on the sockets).

**INSTALLATION IS NOW COMPLETED**



1. OUTLET BOX
2. WHITE WIRE
3. GROUND WIRE
4. BLACK WIRE
5. WIRE CONNECTOR
6. MACHINE SCREW
7. MOUNTING BAR
8. GROUND SCREW
9. HEX NUT
10. MOUNTING SCREW
11. CANOPY
12. BALL NUT
13. SWIVEL
14. STEM
15. STEM
16. STEM
17. NIPPLE