



INSTALLATION INSTRUCTIONS

IMPORTANT SAFETY INSTRUCTIONS

MESURES DE SECURITE A RESPECTER

Before assembling your ACCESS LIGHTING fixture, please make sure that you carefully read through this instruction sheet. Save this instruction sheet and refer to it when additions to or changes in the fixture configuration are made.

Lisez attentivement ce manuel d'instructions. Enregistrer cette feuille d'instructions et de s'y référer lorsque les ajouts ou changements dans la configuration de montage sont faites.

CONSULT A QUALIFIED ELECTRICIAN TO ENSURE CORRECT BRANCH CIRCUIT CONDUCTOR.

CONSULTER UN ELECTRICIEN QUALIFIE POUR VOUS ASSURER QUE LES CONDUCTEURS DE LA DERIVATION SONT ADEQUATS

THIS PRODUCT MUST BE INSTALLED IN ACCORDANCE WITH THE APPLICABLE INSTALLATION CODE BY A PERSON FAMILIAR WITH THE CONSTRUCTION AND OPERATION OF THE PRODUCT AND THE HAZARDS INVOLVED.

CE PRODUIT DOIT ETRE INSTALLE SELON LE CODE D'INSTALLATION PERTINENT, PAR UNE PERSONNE QUI CONNAIT BIEN LE PRODUIT ET SON FONCTIONNEMENT AINSI QUE LES RISQUES INHERENTS

NOTE: The important safeguards and instructions that appear in this manual are not meant to cover all possible conditions and situations that may occur. It must be understood that common sense, caution and care, are factors that can't be built into any product. These factors must be supplied by the person(s) caring for and operating the fixture.

Read all instructions

Do not install this fixture in hazardous locations.

N'installez pas cet appareil dans des emplacements dangereux.

Do not install any fixture assembly closer than 6 inches from any curtain or similar combustible material.

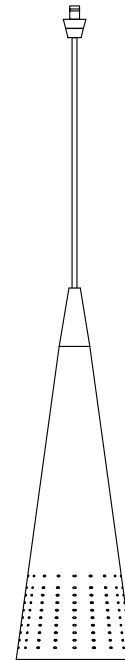
Laissez une distance d'au moins 6 pouces entre ce luminaire et la toute surface combustible.

"WARNING Risk of Fire and Electric Shock."

"CAUTION: Risque d' Incendie et de Choc Electriques."

GENERAL INFORMATION

All electrical connections must be in accordance with all ordinances, Local and the U.S. National Electrical Codes (NEC). These fixtures are intended for mounting to a standard 4" metal octagon outlet box. The box must be directly supported by the building structure and U.L. Recognized.



COLLECTION

APOLLO

APPLICATION

Pendant Fixture

MODEL NO.

52052UJ

WHAT WE PROVIDE

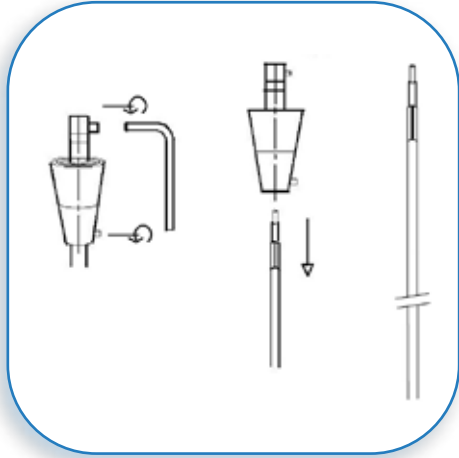
- Mounting Hardware
- 10" Wire with lamp holder
- 1 x 50W MR16 bulb

WHAT YOU NEED

- Screwdriver
- Wire Cutters
- Wiring Supplies as Specified by Electrical Code

STEP BY STEP INSTRUCTIONS

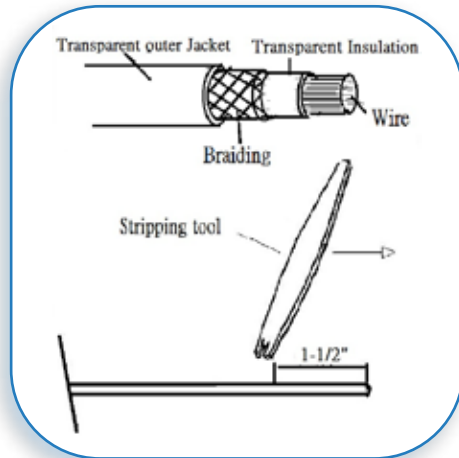
Before starting your installation disconnect the Power by turning off the Circuit Breaker or by removing the fuse at the fuse box. Just turning the light off at the light switch is not sufficient to prevent electrical shock.



1

Determine the length of your fixture

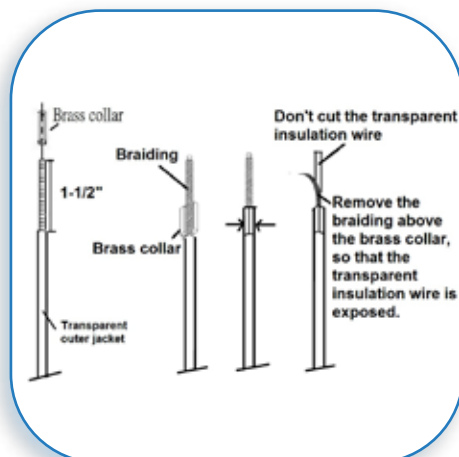
Loosen the top and bottom allen screw with the supplied allen key.
 Pull the wire out of the UNI-JACK connector.
 Determine the length of your fixture.
 Cut the wire to the desired length. Leaving an additional 1-1/2" for the necessary connections.



2

STRIP THE WIRE OUTER JACKET

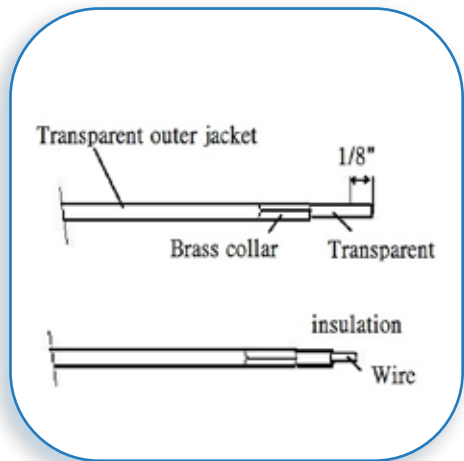
Strip 1-1/2" of the outer jacket with the stripping tool or wire cutter.



3

SLIDE THE BRASS COLLAR ON WIRE

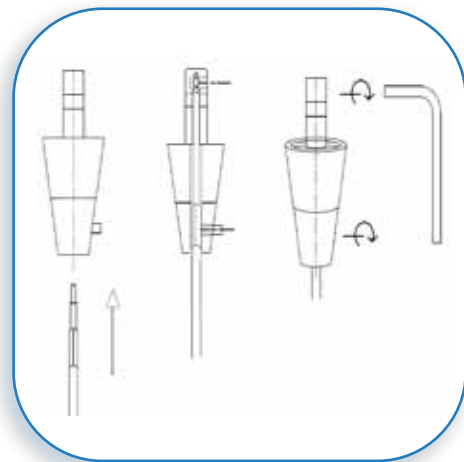
Slide the brass collar over the braiding and clamp it gently. Remove the braiding above the brass collar, so that the transparent insulation wire is exposed.
 Don't cut the transparent insulation wire.



4

REMOVE THE WIRE INSULATION

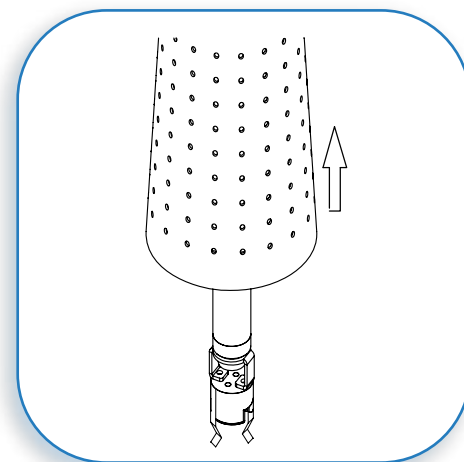
Remove 1/8" of the transparent insulation to expose the inner wire. Solder the exposed wire to keep straight and neat.



5

INSERT THE WIRE INTO THE UNI-JACK

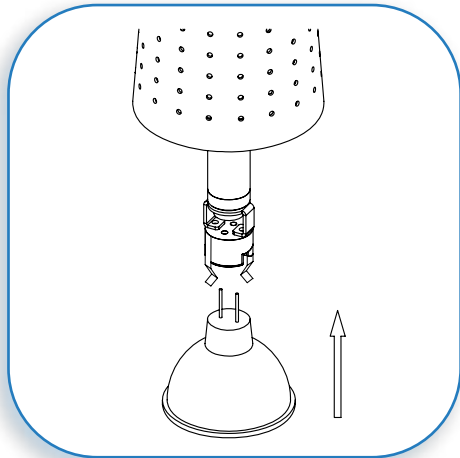
Insert the wire into the UNI-JACK connector until it reaches the top set allen screw position. Make sure the brass collar aligns with the lower set allen screw. Tighten the top and the lower allen screw with the supplied allen key.



6

SLIDE THE METAL SHADE UP

Slide the metal shade up to reveal the socket assembly.



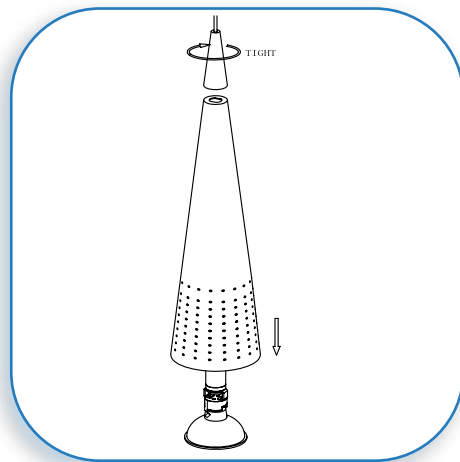
7

INSERT THE BULB

Insert the bulb.

MAXIMUM WATTAGE 50W TYPE MR16.

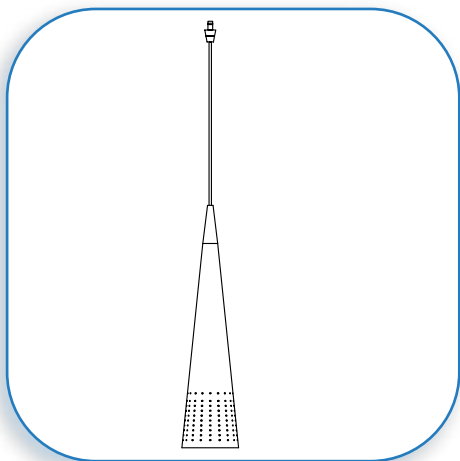
DO NOT EXCEED THE MAXIMUM WATTAGE AS STATED ON THE WARNING LABEL AND INSTRUCTION SHEET.



8

SLIDE THE METAL SHADE DOWN

Once the bulb is installed, slide the metal shade back into place and tighten metal cap.



9

RESTORE THE ELECTRICITY AND CHECK THE OPERATION OF YOUR NEW ACCESS LIGHTING FIXTURE

CAUTION Please ensure that the fitting is cool and switched off before replacing the bulb. DO NOT use bulbs that exceed the maximum wattage, stated on caution label.