

Model No :: **31000-BS/OPL**
 Name :: Vail



Project Name :: _____
 Location :: _____
 Type :: _____
 Quantity :: _____
 Notes :: _____

Product Information

Product ID :: 31000
 UPC Code :: 641594143690
 Mounting Type :: Wall
 Finish :: Brushed Steel (BS)
 Diffuser :: Opal (OPL)
 Alt. Finishes :: N/A
 Alt. Diffusers :: N/A

Product Dimensions

Fixture		Canopy
Length ::	N/A	Length :: N/A
Width ::	25.5"	Width :: N/A
Diameter ::	N/A	Diameter :: N/A
Extension ::	3.25"	Height :: N/A
Height ::	4.25"	
Overall Height ::	N/A Max.	



Technical Specifications

Qualifications

Location Rating :: Damp
 Certification :: cETLus
 IES File :: No
 JA8 Compliant :: No
 Energy Star :: No
 ADA Compliant :: Yes
 Marine Grade :: No
 Emergency Lighting :: No
 Warranty :: 1 Year Limited

Specifications

Frame Material :: Metal
 Diffuser Material :: Glass
 Voltage :: 120v
 Lamping Type :: Fluorescent
 Lamping Base :: Bi-Pin
 Lamp Quantity :: 1
 Lamp Wattage :: 24 W
 Total Wattage :: 24 W
 Lamps Included :: Yes
 J-Box Type :: Standard

Photometrics

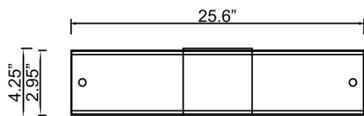
CCT :: 3000
 CRI :: N/A
 Wattage :: 24 W
 Nominal Lumens :: 1750
 Delivered Lumens :: N/A

Recommended Dimmers

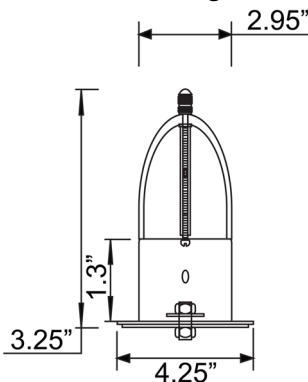
NOT DIMMABLE

Custom Options :: N/A; **Additional Items** :: Fully adjustable floating canopy included

Line Drawing #1



Line Drawing #2



IES File

Image Not Available

Toll Free 800-828-5483 or www.AccessLighting.com

14410 Myford Road, Irvine, CA 92606

The information provided is subject to change without notice. ©2018 Access Lighting Corporation. All Rights Reserved
 Rev. 201809 File name: 31000-BS_OPL.pdf

