

Stock Code: **20866LEDDCS-WH/ACR**

Collection: Infinite

### PRODUCT INFORMATION

Base: 20866 Parent: 20866LEDD  
Mounting Type: Ceiling UPC: 641594246933  
Finish: White  
Diffuser: Acrylic Lens

### PRODUCT MEASUREMENTS

FIXTURE	BACKPLATE / CANOPY
Length:	Length
Width:	Width:
Diameter 11.5"	Diameter:
Height: 1.5"	Height:
Extension:	
Overall Height:	

### TECHNICAL SPECIFICATIONS

#### SPECIFICATIONS

Frame Material: Acrylic  
Diffuser Material: N/A  
Lamping Type: SSL (Dedicated LED) Jbox: Standard  
Lamping Base: SSL Lamp Wattage: 25 W  
Lamp Quantity: 1 Total Wattage: 25 W  
Voltage: 120v Lamps Included: Yes

#### QUALIFICATIONS

Location Rating Damp  
Certification: ETL (US/Canada) Listed  
ADA Compliant: No Energy Star: No  
JA8 Compliant: Yes Emergency Lighting: No  
Marine Grade: No Warranty: 5 Year

#### PHOTOMETRICS

Dimmable: Yes Nominal Lumens 2000 Lm  
CRI: 90 Delivered Lumens: 1690 Lm  
CCT: Multi-CCTK  
Recommended Dimmers:  
(ELV)LUTRON Caseta PD - 6WCL; (ELV)LUTRON Maestro CL  
MACL-153M; (ELV)LUTRON Maestro CL (Package) MACL-  
153M-RHW; (ELV)LUTRON Maestro MRF2-6CL;  
(TRIAC)LUTRON Diva DVCL-153P

Additional Notes:

Project Name: \_\_\_\_\_

Location: \_\_\_\_\_

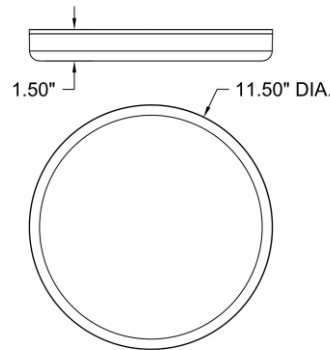
Type: \_\_\_\_\_

Quantity: \_\_\_\_\_

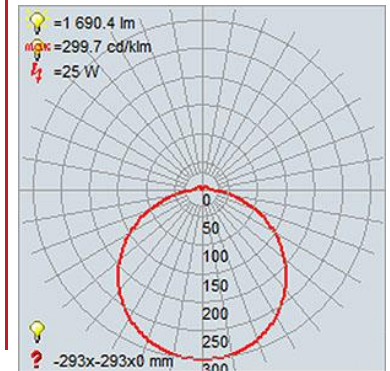
Notes: \_\_\_\_\_



#### LINE DRAWING



#### IES FILE



In addition to Access Lighting's purchase and warranty terms and conditions, by signing below or placing an order, you agree that you are authorized to bind the entity placing any order and acknowledge the following: All of sizes and measurements are approximate and all images are for illustrative purposes only. In the event of an inconsistency, the "Product Measurements" section controls. There also may be slight differences in the colors and designs compared to the displayed and printed images.

Signature: \_\_\_\_\_

Print Name \_\_\_\_\_ Date: \_\_\_\_\_

Toll Free 800-828-5483 [www.AccessLighting.com](http://www.AccessLighting.com)

14410 Myford Road, Irvine, CA 92606

The information is subject to change without notice.

11/3/2022

20866LEDDCS-WH\_ACR.pdf

**access**  
LIGHTING