

Model No :: **20789LED-BRZ**
 Name :: Adapt



Project Name :: _____
 Location :: _____
 Type :: _____
 Quantity :: _____
 Notes :: _____

Product Information

Product ID :: 20789
 UPC Code :: 641594213812
 Mounting Type :: Wall
 Finish :: Bronze (BRZ)
 Diffuser :: Clear (CLR)
 Alt. Finishes :: Black (BL); White (WH)
 Alt. Diffusers :: N/A

Product Dimensions

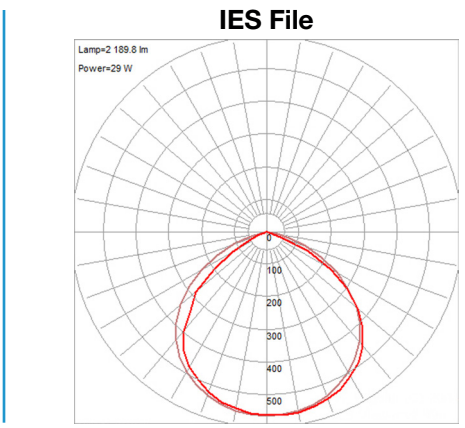
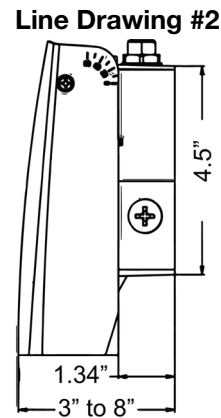
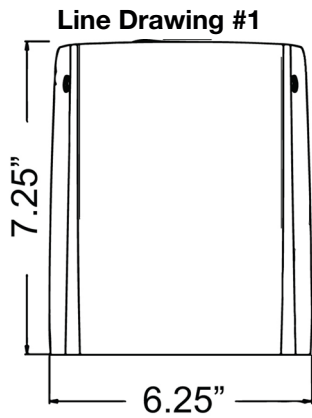
Fixture	Canopy
Length :: N/A	Length :: N/A
Width :: 6.25	Width :: N/A
Diameter :: N/A	Diameter :: N/A
Extension :: 3-8	Height :: N/A
Height :: 7.25	
Overall Height :: N/A Max.	



Technical Specifications

Qualifications	Specifications	Photometrics	Recommended Dimmers
Location Rating :: Wet	Frame Material :: Metal	CCT :: 4000	NOT DIMMABLE
Certification :: cULus	Diffuser Material:: Glass	CRI :: 80	
IES File :: Yes	Voltage :: 120-277v	Wattage :: 30 W	
JA8 Compliant :: No	Lamping Type :: Dedicated LED	Nominal Lumens :: 2500	
Energy Star :: No	Lamping Base :: SSL	Delivered Lumens :: 2189	
ADA Compliant :: No	Lamp Quantity :: 1		
Marine Grade :: No	Lamp Wattage :: 30 W		
Emergency Lighting :: No	Total Wattage :: 30 W		
Warranty :: 5 Year Limited	Lamps Included :: Yes		
	J-Box Type :: Standard		

Custom Options :: N/A; Additional Items :: N/A



Toll Free 800-828-5483 or www.AccessLighting.com

14410 Myford Road, Irvine, CA 92606
 The information provided is subject to change without notice. ©2018 Access Lighting Corporation. All Rights Reserved
 Rev. 201809 File name: 20789LED-BRZ.pdf

