

Stock Code: **20506LEDD-BS/ACR**

Collection: Solero III

PRODUCT INFORMATION

Base: 20506 Parent: 20506LEDD
Mounting Type: Ceiling UPC: 641594246216
Finish: Brushed Steel
Diffuser: Acrylic Lens

PRODUCT MEASUREMENTS

FIXTURE	BACKPLATE / CANOPY
Length:	Length
Width:	Width:
Diameter 12"	Diameter:
Height: 3.5"	Height:
Extension:	
Overall Height:	

TECHNICAL SPECIFICATIONS

SPECIFICATIONS

Frame Material: Metal
Diffuser Material: Acrylic
Lamping Type: SSL (Dedicated LED) Jbox: Standard
Lamping Base: SSL Lamp Wattage: 15 W
Lamp Quantity: 1 Total Wattage: 15 W
Voltage: 120v Lamps Included: Yes

QUALIFICATIONS

Location Rating Damp
Certification: ETL (US/Canada) Listed
ADA Compliant: No Energy Star: No
JA8 Compliant: Yes Emergency Lighting: No
Marine Grade: No Warranty: 5 Year

PHOTOMETRICS

Dimmable: Yes Nominal Lumens 1400 Lm
CRI: 90 Delivered Lumens: 1050 Lm
CCT: 3000K
Recommended Dimmers:
(TRIAC)LEVITON Decora Sureslide 6674; (TRIAC)LEVITON Trimatron 6684; (ELV)LUTRON Maestro CL (Package) MACL-153M-RHW; (TRIAC)LEVITON illumatech IPI06;
(TRIAC)LEVITON Decora Sureslide 6672; (ELV)LUTRON Maestro CL MACL-153M; (ELV)LUTRON Diva DVELV-300P; (ELV)

Additional Notes:

Custom Finish 5 Piece Minimum Order Quantity; Optional Color Temperature 500 Piece Minimum Order Quantity

Project Name: _____

Location: _____

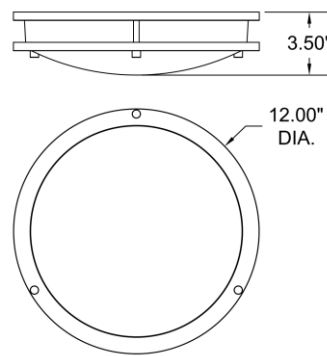
Type: _____

Quantity: _____

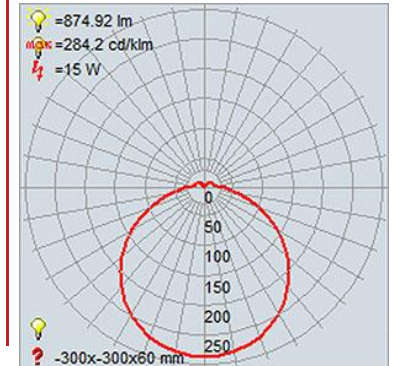
Notes: _____



LINE DRAWING



IES FILE



In addition to Access Lighting's purchase and warranty terms and conditions, by signing below or placing an order, you agree that you are authorized to bind the entity placing any order and acknowledge the following: All of sizes and measurements are approximate and all images are for illustrative purposes only. In the event of an inconsistency, the "Product Measurements" section controls. There also may be slight differences in the colors and designs compared to the displayed and printed images.

Signature: _____

Print Name _____ Date: _____

Toll Free 800-828-5483 www.AccessLighting.com

14410 Myford Road, Irvine, CA 92606

