

access

LIGHTING

INSTALLATION INSTRUCTIONS

IMPORTANT

Before assembling your access lighting fixture, please make sure that you carefully read through these instruction sheets. Consider having your fixture installed by a qualified licensed electrician.

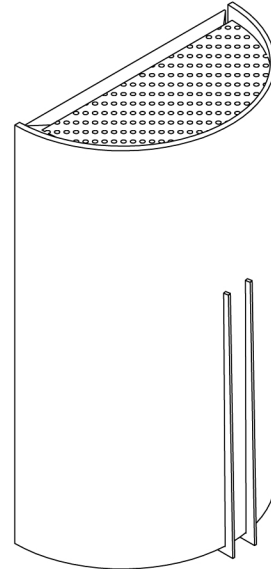
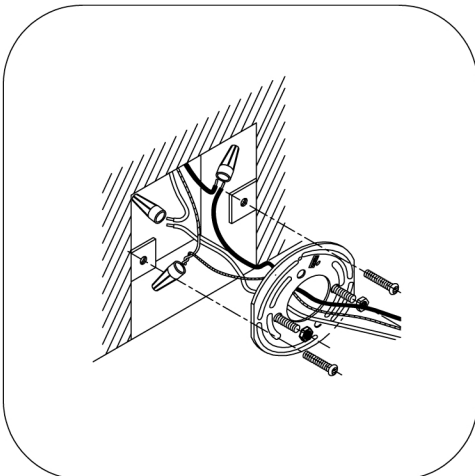
NOTE: The important safeguards and instructions that appear in this manual are not meant to cover all possible conditions and situations that may occur. It must be understood that common sense, caution and care, are factors that can't be built into any product. These factors must be supplied by the person(s) caring for and operating the fixture.

GENERAL INFORMATION

All electrical connections must be in accordance with all ordinances, Local and National Electrical Codes. These fixtures are intended for mounting to a standard 4" x 2 1/2" metal octagon outlet box. The box must be directly supported by the building structure and U.L. Recognized.

STEP BY STEP INSTRUCTIONS

Before starting your installation disconnect the Power by turning off the Circuit Breaker or by removing the fuse at the fuse box. Just turning the light off at the light switch is not sufficient to prevent electrical shock.



COLLECTION	APPLICATION	MODEL NO.
Prong	Wall Fixture	20446

WHAT WE PROVIDE

- Crossbar
- Mounting Hardware
- Mounting Plate
- 1 x Glass Shade

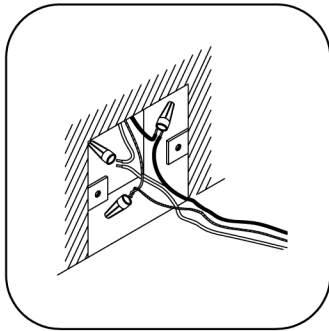
WHAT YOU NEED

- Screwdriver
- Wire Cutters
- Wiring Supplies as Specified by Electrical Code
- 2 x60W A19 Bulbs

MOUNT CROSSBAR

If there is an existing fixture remove it. Expose the supply wires from the j-box. Place the supplied Long screws through the holes in the Crossbar and secure tightly to the Crossbar with the Small hex nuts. This will prevent the Long screws from rotating when the finials are attached. Mount the supplied crossbar to the J-Box.

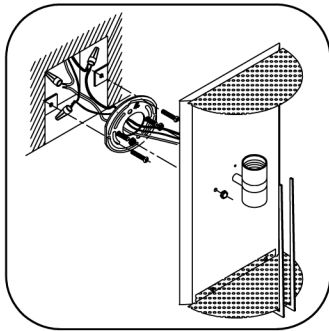
1



2

CONNECT THE WIRES

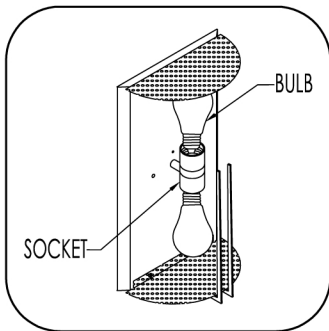
Gently pull the supply wires. Connect the black fixture wire to the black supply wire and the white fixture wire to the white supply wire. Connect the fixture ground wire to the ground wire from the J-Box. Secure all connections with the supplied wire connectors and U.L. listed electrical tape (not supplied). Tuck all wires carefully into the J-Box.



3

MOUNT THE WALL PLATE

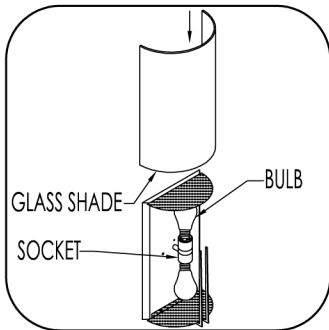
Let the Long screws go through the two holes in the Fixture, and then secure the Fixture against the wall with the supplied Finials.



4

INSERT THE BULB

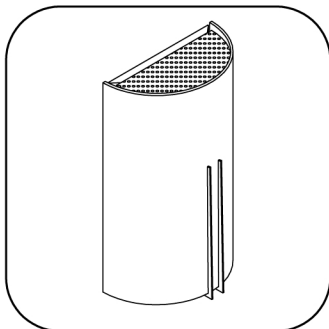
Insert the bulb.
 MAXIMUM WATTAGE 60W.
 DO NOT EXCEED THE RECOMMENDED WATTAGE AS STATED ON THE WARNING LABEL AND INSTRUCTION SHEETS.



5

ATTACH THE GLASS SHADE

Slide Shade into place.



6

RESTORE THE ELECTRICITY AND CHECK THE OPERATION OF YOUR NEW ACCESS FIXTURE

