

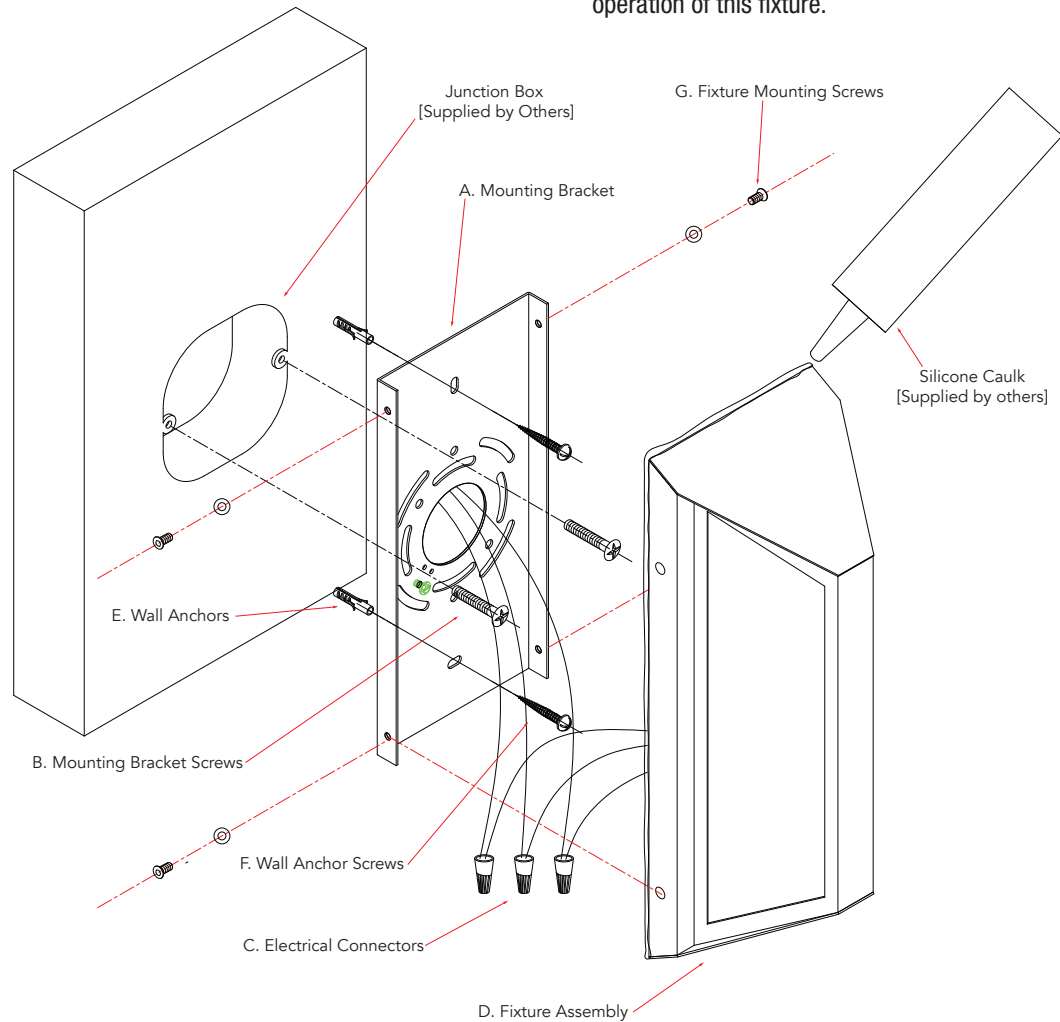
### Assembly and Installation Instructions for Model's

# 50086/87/880DW

## CAUTION - RISK OF FIRE

Installation of this fixture should be done by a licensed electrician or by a person familiar with local electrical codes and the construction and operation of this fixture.

**Warning** please make sure the electrical breaker is shut off before commencing with this installation



Package Contents		
Part	Description	Qty
<b>A</b>	Mounting bracket	1
<b>B</b>	Mounting bracket screws	2
<b>C</b>	Electrical connectors	3
<b>D</b>	Fixture assembly	1
<b>E</b>	Wall anchors	2
<b>F</b>	Wall anchor screws	2
<b>G</b>	Fixture mounting screws	4

### Installing the fixture

*please ensure the electrical breaker is in the Off position before commencing*

- Loosely attach the Mounting bracket (**A**) to the Junction boxes [Supplied by others] using the Mounting bracket screws (**B**) and mark where the Wall anchors (**E**) will be inserted. Remove the Mounting bracket.
- Insert the Wall anchors (**E**) into their marked positions and attach the Mounting Bracket (**A**) to the Junction Box. Secure the Mounting Bracket to the Wall by inserting the Wall anchor screws (**F**) into the Wall anchors.
- Connect the supply wires to the fixture wires using the supplied electrical wire connectors (**C**). White supply wire to the White fixture wire, Black supply wire to Black fixture wire and the ground Bare Copper or Green wire to the Green fixture wire. Once the electrical wire connectors are securely fastened it is recommended to tape these connectors with electrical tape.
- Secure the Fixture assembly (**D**) to the Mounting Bracket (**A**) using the Fixture Mounting Screws (**G**).
- Apply the Silicone caulk [Supplied by others] to seal the edges of the Fixture to the wall.
- Switch on the electrical breaker switch and your new fixture is ready for many years of trouble free use.