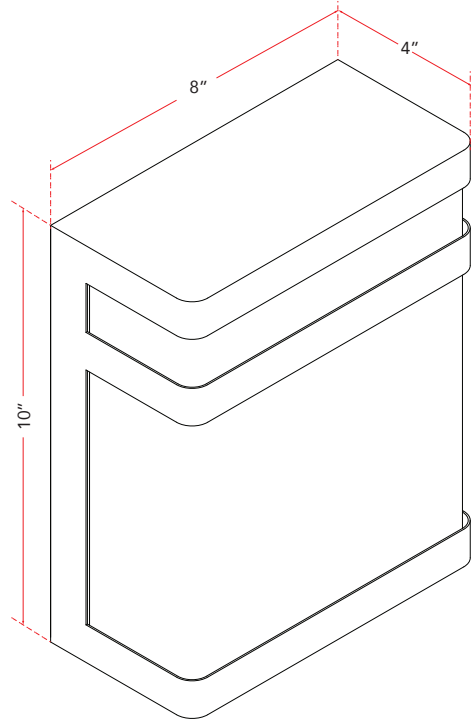




ABRA MODEL **500280DW-304STS** Wet location Stainless Steel Wall Fixture
 FAMILY NAME **Sentinel** UPC **00810035190955**



FIXTURE MATERIAL				FIXTURE DIMENSIONS IN INCHES										
Frame Material	Finishes Available	Diffuser Type	Diffuser Finish	Diameter	Height	o.a.h	Width	Length	Ext	Weight	ADA	Location	Rating	Compliance
Steel	304STS-Stainless Steel	Acrylic	White		10	10	8		4	4	Compliant	Wall Mount only	Wet Location	cETLus
LAMPING										Compatible Dimmers	Junction Box Type	SUPPLIED		
Lamp Type	Lamp qty	Wattage	Max Wattage	Base	Kelvin	CRI	Initial Lumen's	Delivered Lumen's	Voltage		Standard 4 x 4			
LED	1	17w	17w	Solid State Module	3000k	90+	1445	1012 estimated	120v					
SPECIAL NOTES														

Project Name			
Date		Type	