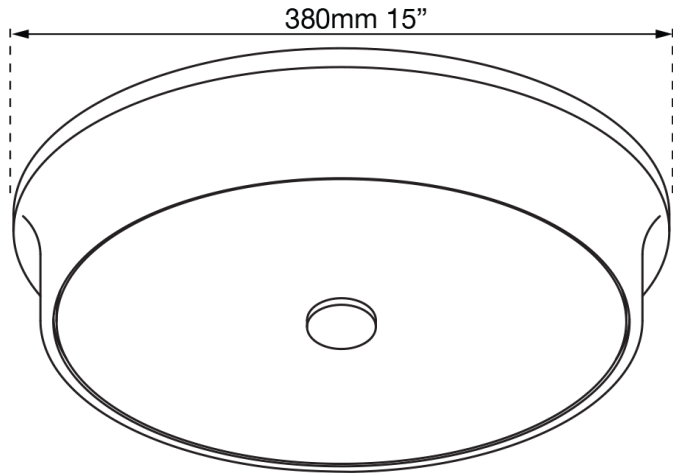
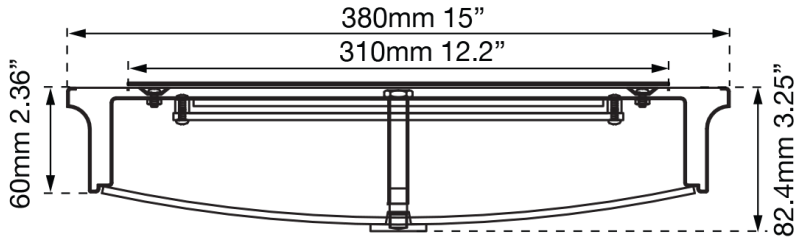




FAMILY NAME Spark **15" Opal Glass Flushmount**

ABRA MODEL 30098FM-CH **UPC**



FIXTURE MATERIAL

Frame Material	Finishes Available	Diffuser Type	Diffuser Finish
Metal	CH-Chrome BN-Brushed Nickel	Glass	Frosted

DIMENSIONS IN INCHES

Diameter	Height	o.a.h	Width	Length	Ext	Weight	ADA
15	3.2	3.2				9	

CERTIFICATION

Location	Rating	Compliance
Ceiling Mount only	Damp Location	cETL

LAMPING

Lamp Type	Lamp Qty	Wattage	Total Wattage	Lamp Base	Kelvin	CRI	Initial Lumen's	Lumen Per Watt	Delivered Lumen's	Voltage
LED	1	20	20	Solid State Module	3000k	90+	1700	85	1275 estimated	120v

COMPATIBLE DIMMER'S

ELV, CL

J-BOX TYPE

Standard 4 x 4 Octagon

SUPPLIED

LED Module Supplied

SPECIAL NOTES

ABRA LIGHTING
NEOTERIC DESIGN

1216 West Grove Avenue, Orange California 92865
Phone: 949-940-1155 • Toll Free 800-295-7121
www.abralighting.com

PROJECT NAME

DATE