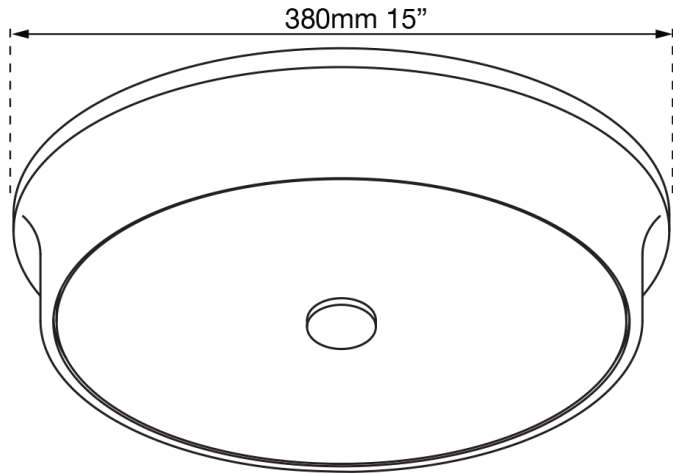
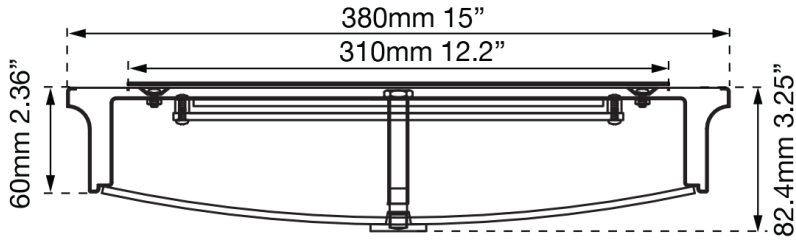




**FAMILY NAME** Spark **15" Opal Glass Flushmount**

**ABRA MODEL** 30098FM-BN **UPC**



**FIXTURE MATERIAL**

Frame Material	Finishes Available	Diffuser Type	Diffuser Finish
Metal	BN-Brushed Nickel CH-Chrome	Glass	Frosted

**DIMENSIONS IN INCHES**

Diameter	Height	o.a.h	Width	Length	Ext	Weight	ADA
15	3.2	3.2				9	

**CERTIFICATION**

Location	Rating	Compliance
Ceiling Mount only	Damp Location	cETL

**LAMPING**

Lamp Type	Lamp Qty	Wattage	Total Wattage	Lamp Base	Kelvin	CRI	Initial Lumen's	Lumen Per Watt	Delivered Lumen's	Voltage
LED	1	20	20	Solid State Module	3000k	90+	1700	85	1275 estimated	120v

**COMPATIBLE DIMMER'S**

ELV, CL
---------

**J-BOX TYPE**

Standard 4 x 4 Octagon
------------------------

**SUPPLIED**

LED Module Supplied
---------------------

**SPECIAL NOTES**