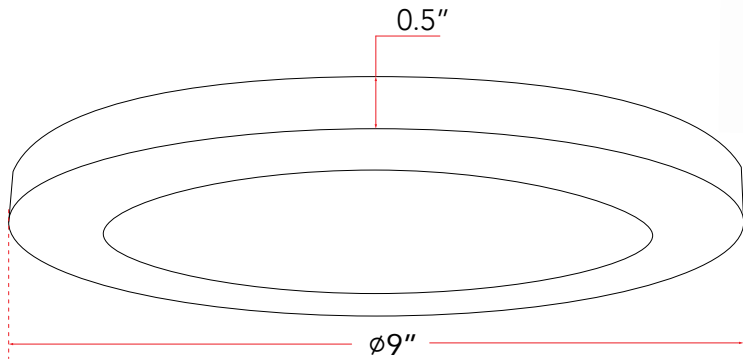




ABRA MODEL **30021FM-WH** 9" Slim Disc Wet Location Flushmount
 FAMILY NAME **SLIM** UPC 00810035192065



FIXTURE MATERIAL				DIMENSIONS IN INCHES							CERTIFICATION			
Frame Material	Finishes Available	Diffuser Type	Diffuser Finish	Diameter	Height	o.a.h	Width	Length	Ext	ADA	Label	Location	Rating	Compliance
Metal	WH-White BL-Black	Acrylic	White	9	0.5	0.5					cETL	Ceiling	Damp Location	cETLus

LAMPING										COMPATIBLE DIMMER'S	J-BOX TYPE	SUPPLIED
Lamp Type	Lamp qty	Wattage	Max Wattage	Base	Kelvin	CRI	Initial Lumen's	Delivered Lumen's	Voltage			
LED	1	15w	15w	Module	3000k	90	1275	893 estimated	120v	ELV,CL	4 x 4 Octagonal	

SPECIAL NOTES											

Project Name			
Date		Type	