

Assembly and Installation Instructions for Model's

20132WV

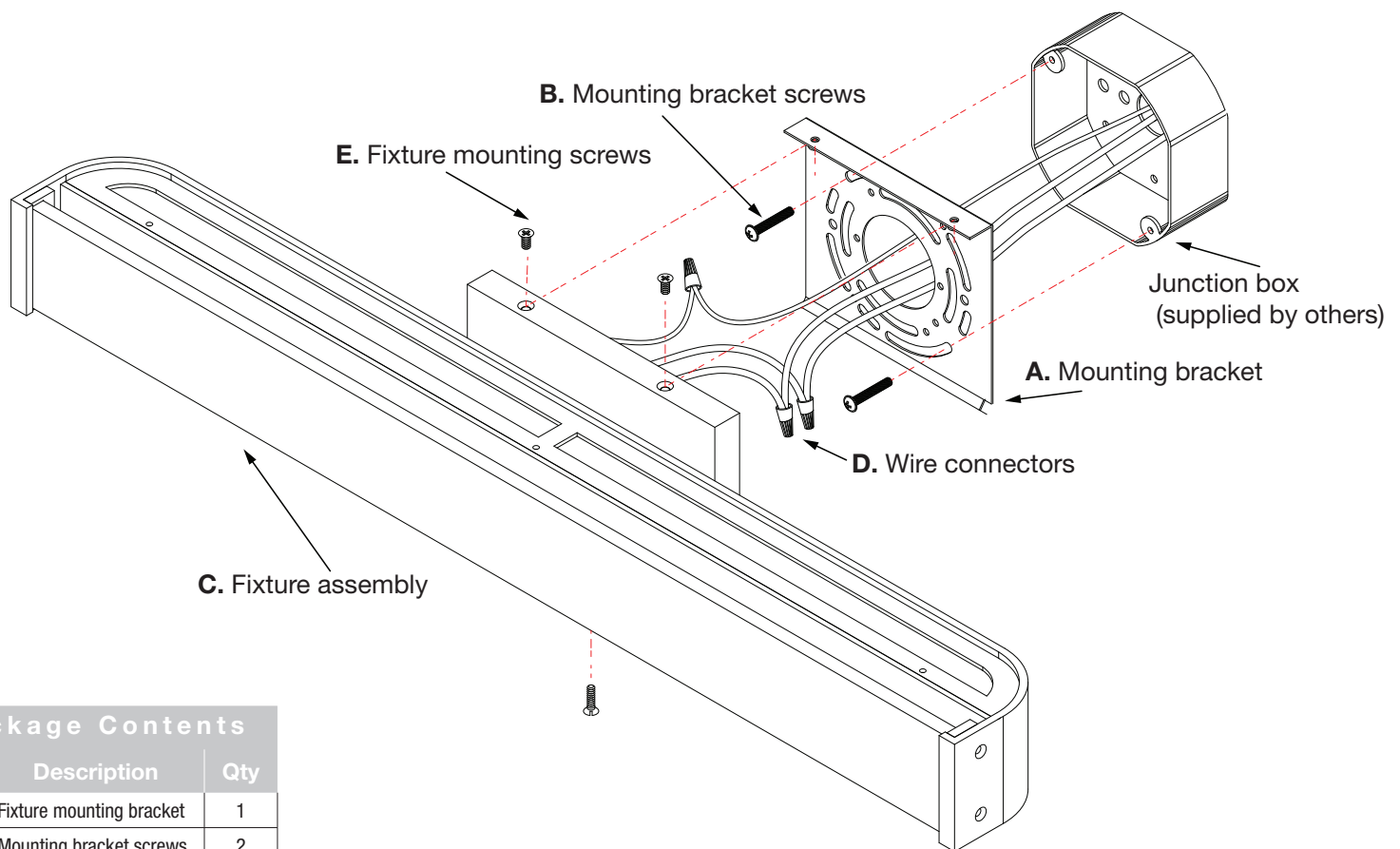
CAUTION - RISK OF FIRE

Installation of this fixture should be done by a licensed electrician or by a person familiar with local electrical codes and the construction and operation of this fixture.

Warning please make sure the electrical breaker is shut off before commencing with this installation

Read and familiarize yourself with these instructions before commencing

This fixture is certified for wall mounting only and is suitable for Damp locations



Package Contents

Part	Description	Qty
A	Fixture mounting bracket	1
B	Mounting bracket screws	2
C	Fixture assembly	1
D	Wire connectors	3
E	Fixture mounting screws	3

Installing the fixture *please ensure the electrical breaker is switched off before commencing*

- 1 Attach the Mounting bracket **(A)** to the Junction-Box with the two supplied Mounting bracket screws **(B)**.
- 2 Connect the supply wires to the fixture wires using the supplied electrical wire connectors **(D)**. White supply wire to the White fixture wire, Black supply wire to Black fixture wire and the ground Bare Copper or Green wire to the Green fixture wire. Once the electrical wire connectors are securely fastened it is recommended to tape these connectors with electrical tape.
- 3 Attach the fixture assembly **(C)** to the mounting bracket **(A)** and secure with supplied Fixture mounting screws **(E)**
- 4 Switch on the electrical breaker and your new fixture is ready for many years of trouble free use