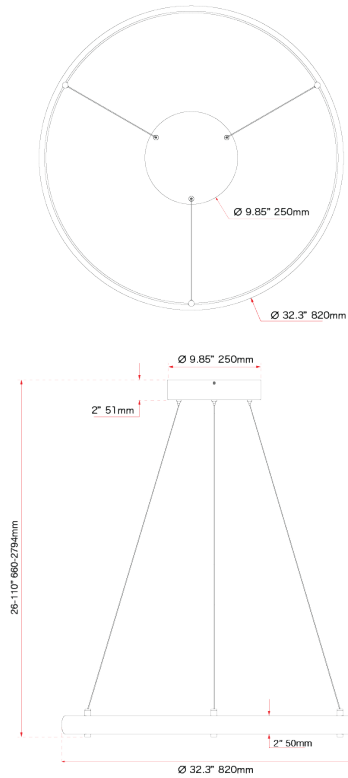




**FAMILY NAME** Sling Medium Ring Pendant

**ABRA MODEL** 10008PN-BZ **UPC** 0



**FIXTURE MATERIAL**

Frame Material	Finishes Available	Diffuser Type	Diffuser Finish
Aluminum	BZ-Bronze TS-Titanium Silver	Acrylic	White

**DIMENSIONS IN INCHES**

Diameter	Height	o.a.h	Width	Length	Ext	Weight	ADA
32.5	1.8	120					

**CERTIFICATION**

Location	Rating	Compliance
Ceiling Mount only	Damp Location	cETL

**LAMPING**

Lamp Type	Lamp Qty	Wattage	Total Wattage	Lamp Base	Kelvin	CRI	Initial Lumen's	Lumen Per Watt	Delivered Lumen's	Voltage
LED	1	76.5	76.5	Solid State Module	3000k	90+	6502.5	85	4876.875 estimated	120v

**COMPATIBLE DIMMER'S**

ELV, CL
---------

**J-BOX TYPE**

Standard 4 x 4 Octagon
------------------------

**SUPPLIED**

LED Module Supplied
---------------------

**SPECIAL NOTES**

**ABRA LIGHTING**  
NEOTERIC DESIGN

1216 West Grove Avenue, Orange California 92865  
Phone: 949-940-1155 • Toll Free 800-295-7121  
www.abralighting.com

**PROJECT NAME**

**DATE**