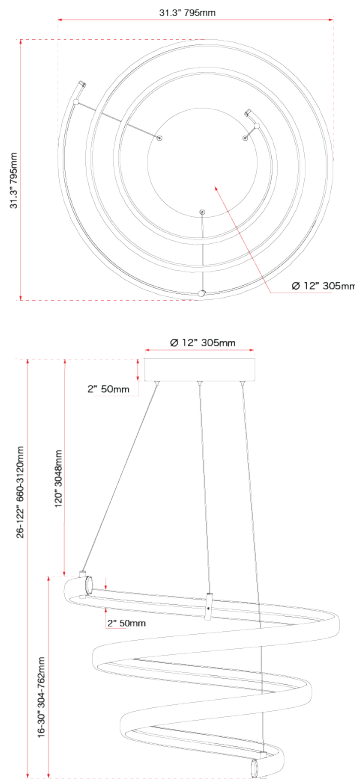




FAMILY NAME Sling **Oval Spring Pendant**
ABRA MODEL 10005PN-TS **UPC** 0



FIXTURE MATERIAL

Frame Material	Finishes Available	Diffuser Type	Diffuser Finish
Aluminum	TS-Titanium Silver BZ-Bronze	Acrylic	White

DIMENSIONS IN INCHES

Diameter	Height	o.a.h	Width	Length	Ext	Weight	ADA
31.3	11.4	120					

CERTIFICATION

Location	Rating	Compliance
Ceiling Mount only	Damp Location	cETL

LAMPING

Lamp Type	Lamp Qty	Wattage	Total Wattage	Lamp Base	Kelvin	CRI	Initial Lumen's	Lumen Per Watt	Delivered Lumen's	Voltage
LED	1	160	160	Solid State Module	3000k	90+	13600	85	10200 estimated	120v

COMPATIBLE DIMMER'S

ELV, CL

J-BOX TYPE

Standard 4 x 4 Octagon

SUPPLIED

LED Module Supplied

SPECIAL NOTES