

Models ARV26041000L (2 Ft), ARV38041400L (3 Ft), ARV50042100L (4 Ft)

Safety Precautions

Read all safety precautions and installation instructions carefully before installing or servicing this fixture. Failure to comply with these instructions could result in potentially fatal electric shock and/or property damage.

It is recommended that a qualified electrician perform all wiring. This fixture must be wired in accordance with all national and local electrical codes.

Do not handle any energized fixture or attempt to energize any fixture with wet hands or while standing on a wet or damp surface or in water.

This fixture is designed for use in a 120-277VAC, 60Hz fused circuit. Do not use on a dimming circuit.

To reduce the risk of electrical shock, and to assure proper operation, this fixture must be adequately grounded. To accomplish proper grounding, there must be a separate ground wire (green) or bare metal contact (metal conduit) between this fixture and the ground connection of your main power supply panel. The green ground screw location is clearly marked on the fixture housing.

This fixture is intended to be used for general indoor lighting in dry or damp locations only.

Assembly Instructions

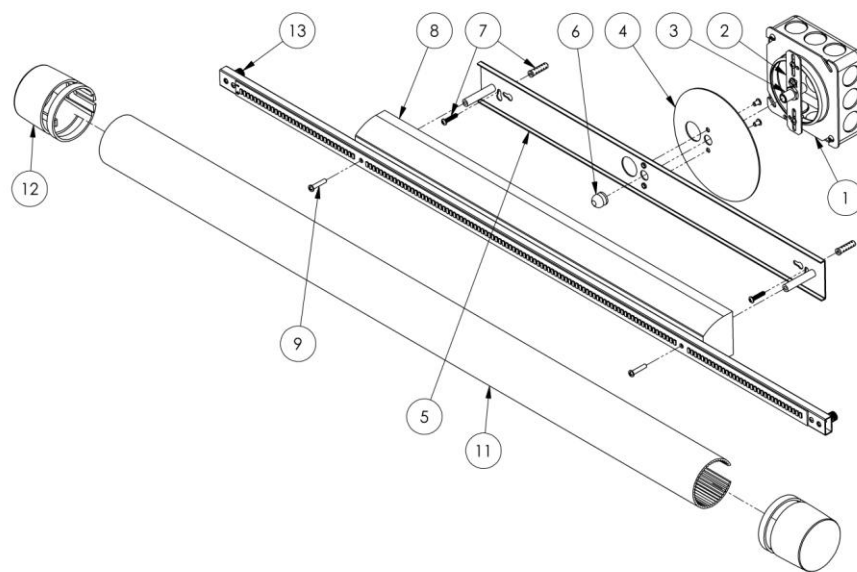
1. Preparing for installation

- Disconnect electrical power** before installing or servicing any part of this fixture.
- Secure the gem bar (2) to junction box (1) (not supplied) with appropriate screws (not supplied). Install the 1 1/4" stem (3) into the gem bar. Use the lock nut to secure threaded rod at the proper length.

2. Wiring and Fixture Mounting

Caution: Make sure power is off at fuse or circuit breaker box. If power supply wires are within three inches of ballast use wire suitable for at least 90C (194F). **Note:** Most dwellings built before 1985 have supply wire rated to 60C. Consult a qualified electrician before installing.

- This unit will not operate properly unless connected to a "grounded" electrical circuit. Securely attach green (or green and yellow) wire to green ground screw on gem bar with provided hardware.
- If using Romex, snap an appropriate fitting (not supplied) into the wall channel opening and feed through. If hard-wired, attach appropriate conduit fitting (not supplied). Using luminaire disconnect (provided), insert white supply wire into the hole across from white driver lead. Insert black hot supply wire into hole across from black driver lead. **Do not mix wires.** Pull on each wire to make sure connections are secure. Make certain no bare wires are exposed outside of luminaire disconnect.
- If using a junction box, attach wall channel (5) to round coverplate (4) with two screws and nuts provided. Feed supply wires through large opening in wall channel and make wire connections as described in step 2B. Mount over the 1-1/4" stem and secure in place with knob (6). (Note: Adjust length of threaded rod to create a secure fit.) Additionally secure the wall channel at end keyslots with two mounting screws (7) and anchors (not provided). If not securing to a junction box, hang the wall channel in desired location using end keyslots with mounting screws provided and anchors (not provided).
- Mount fixture chassis (8) over wall channel standoffs and secure with two screws (9).



4. Diffuser installation

- Place diffuser (11) over LED track and center it. Slide cast ends (12) over fixture ends and secure with captive thumbscrews (13).
- Restore power at fuse or circuit breaker box.

Limited Factory Warranty

AFX Inc. hereby warrants that this fixture is free from defects in materials and workmanship when installed and used under normal operating conditions for a period of 5 years from date of purchase. This warranty covers all component parts and extends only to replacement of defective fixture or components; it does not cover failure due to improper installation, misuse, mishandling or damage incurred in transit.